

APOLO UFO Highbay Light

Unique Beam Angle Adjustable

ONOR Lighting Technology (Shenzhen) Co., Ltd.
www.onorlighting.com
sales@onorlighting.com
+86 158 2079 9915
Rijing Industrial Park, 518118 Pingshan District, Shenzhen China

APOLO

UFO Highbay Light



Smarter Brighter Smaller Lighter

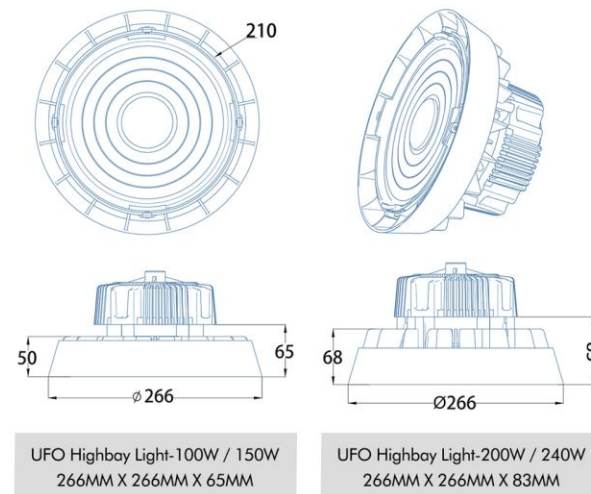
Apolo series LED highbay is an unique professional industrial light. It adopts thick carved die-casting heatsinks and looks like an artwork more than a light.

Biggest unique advantage is the adjustable beam angle 60°/90°/110° which can be changed easily by finger twist. Now, one light is suitable for all projects, one light has 3 beam angles!

The polished anti-corrosion powder coated surface carefully protects every core component from damage.

6063 aluminum shell ensures strong structure and stable cooling system to maintain 50000 hours longevity.

Dimensions



Specifications

	ONOR-HB-100	ONOR-HB-150	ONOR-HB-200	ONOR-HB-240
LED Qty	294pcs 2835(Osram)	420pcs 2835(Osram)	532pcs 2835(Osram)	532pcs 2835(Osram)
Power (W)	100W	150W	200W	240W
Lumen Flux (lm)	15,500lm	23,250lm	31,000lm	36,000lm
CCT (K)	3000-5700			
Beam Angle (°)	60°/90°/110° (Adjustable)			
Input Voltage (V)	AC90-305V 50/60Hz			
Driver Brand	MeanWell / Lifud			
Dimming Control	Switch / Microwave / PIR			
Mounting Method	Suspending / Bracket			
Materials	High Strength Aluminum / PC Lens			
Working Temperature	-25°C/ +45°C			
IP Rating	IP65			
N.W. (kg)	1.5kg (Without Driver)		1.8kg (Without Driver)	

Applications



Supermarket Carport Warehouse Hall Workshop



Anti-glare UFO LED Highbay Light



Adjustable Beam Angle

Built-in Respirator

Microwave Sensor (Optional)

Smarter UFO Highbay

- Respirator built in as standard
- Multi mounting ways
- ★ Adjustable beam angle 60°/90°/110° can be changed easily without tools. 1 light= 3 angles
- Built-in Microwave sensor makes it smarter (Sensor with external plug&play connector ensures your convenient connection)

