

## ONE-STOP SOLUTION

Smart Air Series LED Balloon Light Tower

Air-XS Series 60W-240W

Air-S Series 320W

Air-M Series 500W-600W

Air-L Series 700W-800W

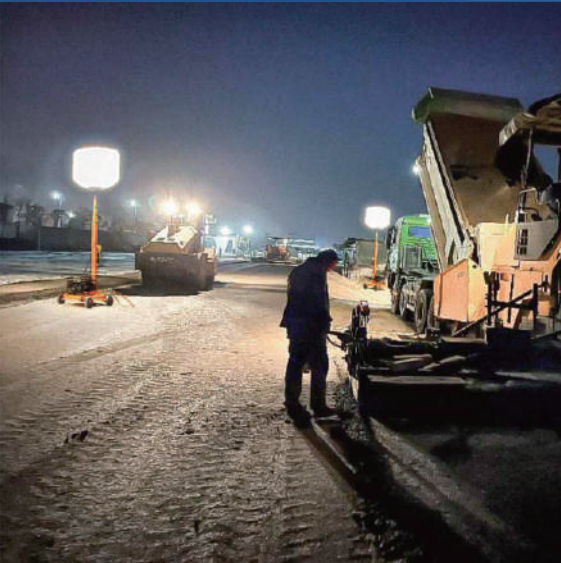
Air-XL Series 1000W-1200W

Air-Max Series 1400W

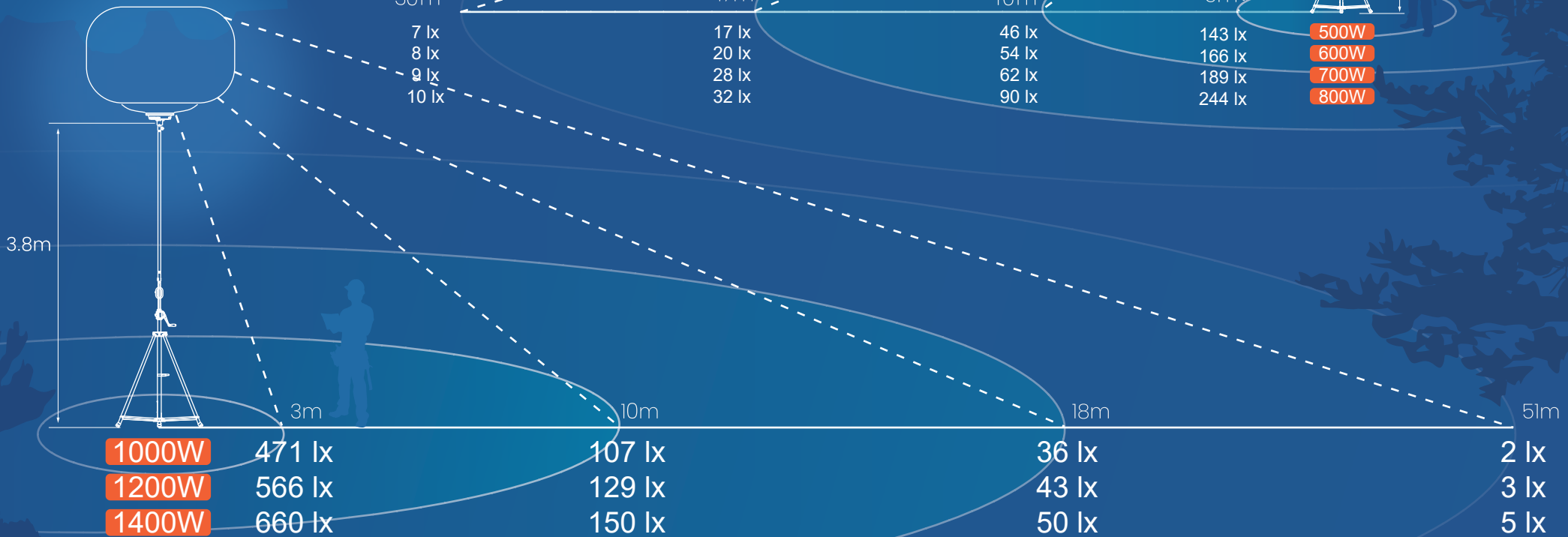
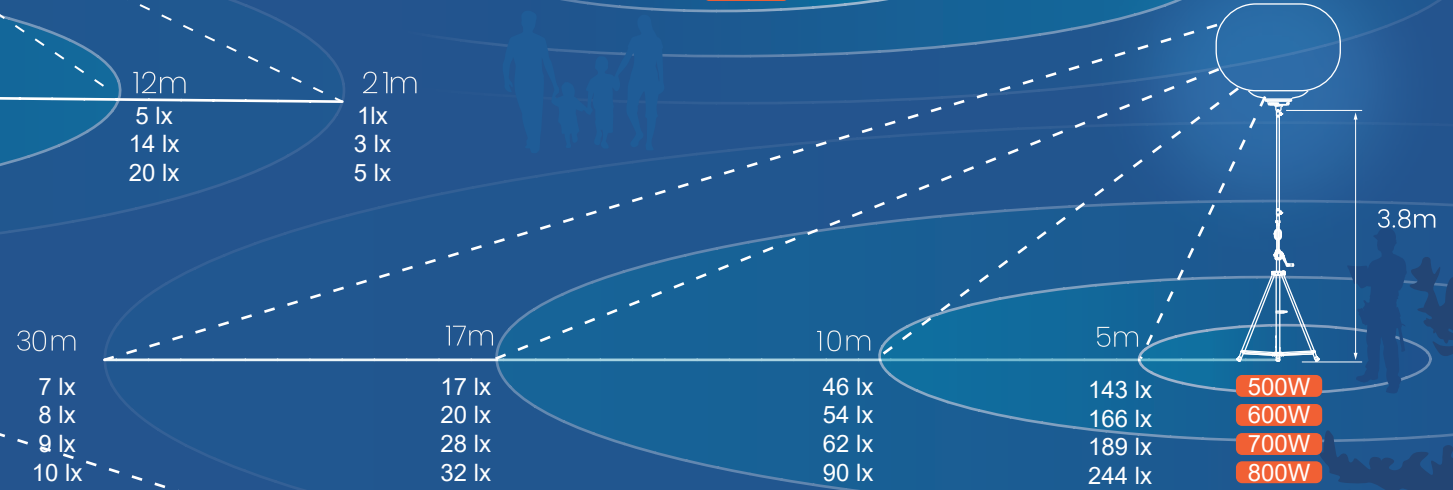
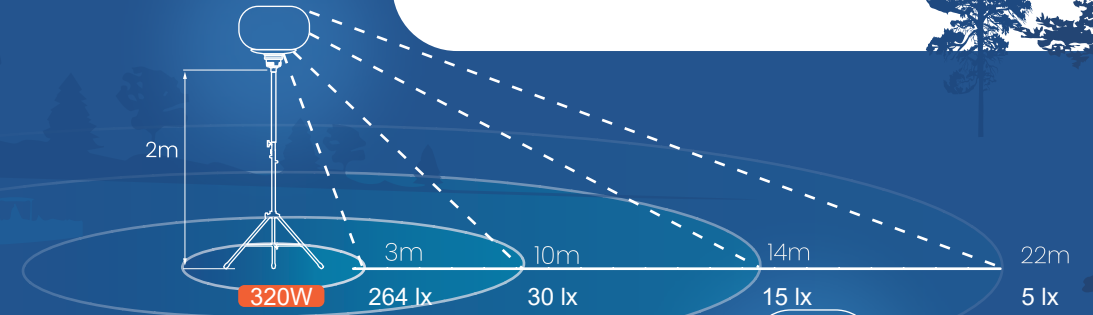
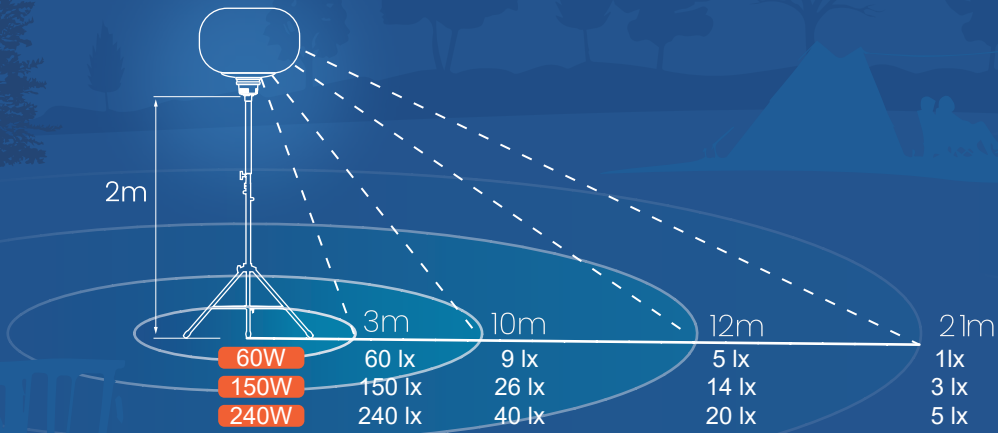


# LED BALLOON LIGHT TOWER

APPLICABLE TO VARIOUS SCENARIOS



# GROUND COVERAGE OF ILLUMINATION



Data for reference only, actual values may differ.



OMNI

REFLECTIVE



## LED BALLOON LIGHT TOWER

60W-240W  
Air-XS

320W  
Air-S

500W-600W  
Air-M

700W-800W  
Air-L

1000W-1200W  
Air-XL

1400W  
Air-MAX

# AIR-XS

## 60W-240W

High Efficiency  
160 lm/W

360° Illumination

Diffused Light

No Glare

IP54

Easy Setup

Dimmable

Rapid Heat Dissipation



### 5-YEAR WARRANTY

# LED BALLOON LIGHT TOWER

## FEATURES

60W~240W Dimmable.

Foldable tripod and cover; Lightweight; Portable; Easy quick setup.

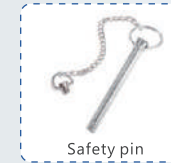
Glare-free; Diffused light; 360° illumination; Dimmable.

Weather resistance; Life span > 50,000hrs; Low maintenance.

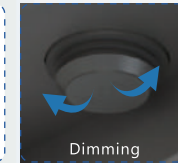
Balloon material: Waterproof, translucent, anti-UV, flame-retardant.

Filtration device: Prevent mosquitoes, dust, and other dirt from entering the lamp.

## ACCESSORIES



Safety pin



Dimming

## SPECIFICATIONS

	Model	BL-60W-B	BL-150W-B	BL-240W-B
<b>Lamp</b>	Power	60W	150W	240W
	Voltage	AC100-277V	AC100-277V	AC100-277V
	Frequency	50/60Hz	50/60Hz	50/60Hz
	PF	≥0.95	≥0.95	≥0.95
	Cable length	5 meters	5 meters	5 meters
	LED Chips	Lumileds	Lumileds	Lumileds
	Lumen	9600lm	2400lm	38400lm
	CRI	≥70Ra	≥70Ra	≥70Ra
	CCT	5000K	5000K	5000K
	Inflated Dimension	520x350mm	520x350mm	520x350mm
Lamp Weight	3.9kg	4.1kg	4.3kg	
<b>Tripod</b>	Height(min-max)	1050-2000mm	1050-2000mm	1050-2000mm
	Net Weight	4.5kg	4.5kg	4.5kg
	Collapsed Height	1050mm	1050mm	1050mm
	Collapsed width	110mm	110mm	110mm

## ACCESSORIES

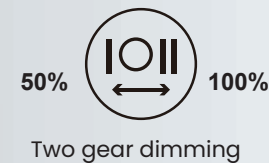


Tripod

Tripod carry bag

Light carry bag

## INTELLIGENT CONTROL

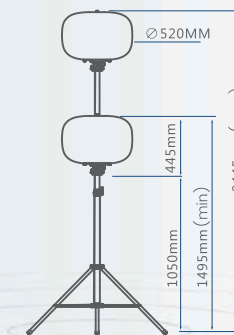


50%

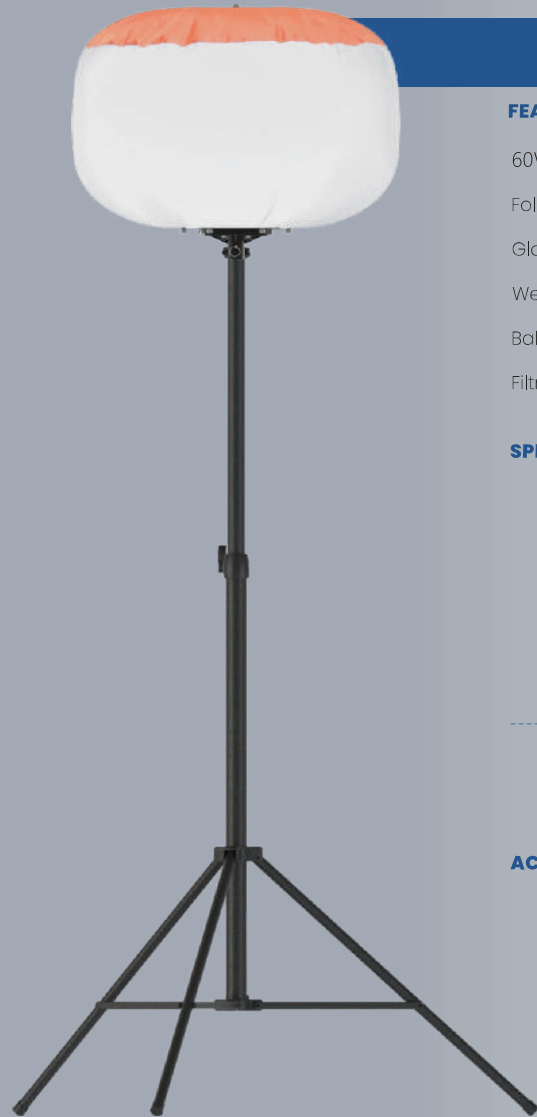
100%

Two gear dimming

## DIMENSIONS



LUMEN UP TO 38400 LM



# AIR-S

## 320W

High Efficiency  
160 lm/W

360°illumination

Diffused Light

No Glare

IP54

Easy Setup

Dimmable

Rapid Heat Dissipation



### 5-YEAR WARRANTY

# LED BALLOON LIGHT TOWER

## ACCESSORIES

## FEATURES

320W Dimmable.

Foldable tripod and cover; Lightweight; Portable; Easy quick setup.

Glare-free; Diffused light; 360° illumination; Dimmable; On-off button switch.

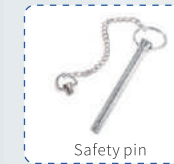
Weather resistance; Life span > 50,000hrs; Low maintenance.

Balloon material: Waterproof, translucent, anti-UV, flame-retardant.

Filtration device: Prevent mosquitoes, dust, and other dirt from entering the lamp.

## SPECIFICATIONS

Lamp	Model	BL-320W-B
	Power	320W
	Voltage	AC100-277V
	Frequency	50/60Hz
	PF	≥0.95
	Cable length	5 meters
	LED Chips	Lumileds
	Lumen	51200lm
	CRI	≥70Ra
	CCT	5000K
Inflated Dimension	600x410mm	
Lamp Weight	6.8kg	
Tripod	Height(min-max)	1050-2000mm
	Net Weight	4.5kg
	Collapsed Height	1050mm
	Collapsed width	110mm



Safety pin



Dimming

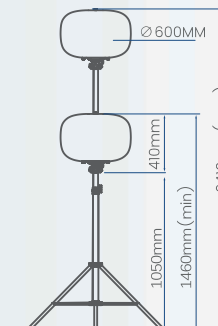
## ACCESSORIES

## INTELLIGENT CONTROL

## DIMENSIONS



75%  
50% 100%  
Three gear dimming



LED LUMEN UP TO 51200 LM



High Efficiency  
160 lm/w



360° Illumination



Diffused Light



No Glare



IP54



Easy Setup



Dimmable



Rapid Heat Dissipation

# AIR-M

## 500W-600W



### 5-YEAR WARRANTY

# LED BALLOON LIGHT TOWER

## FEATURES

500W~600W Dimmable.

Foldable tripod and cover; Lightweight; Portable; Easy quick setup.

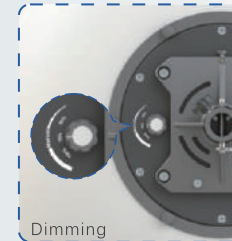
Glare-free; Diffused light; 360° illumination; Dimmable; On-off button switch.

Weather resistance; Life span > 50,000hrs; Low maintenance.

Balloon material: Waterproof, translucent, anti-UV, flame-retardant.

Filtration device: Prevent mosquitoes, dust, and other dirt from entering the lamp.

## ACCESSORIES



Dimming



Adapter

Safety pin

## SPECIFICATIONS

	Model	BL-500W-B	BL-600W-B
Lamp	Power	500W	600W
	Voltage	AC90-305V	AC90-305V
	Frequency	50/60Hz	50/60Hz
	PF	≥0.95	≥0.95
	Cable length	10 meters	10 meters
	LED Chips	Lumileds	Lumileds
	Driver Brand	Inventronics	Inventronics
	Lumen	80000lm	96000lm
	CRI	≥70Ra	≥70Ra
	CCT	3000k/5000K	3000k/5000K
Inflated Dimension	Dia640 x H430 mm	Dia640 x H430 mm	
Lamp Weight	7.6kg	7.6kg	
Tripod	Height(min-max)	1880-3800mm	1880-3800mm
	Net Weight	12kg	12kg
	Collapsed Height	1880mm	1880mm
	Collapsed width	210mm	210mm

## ACCESSORIES

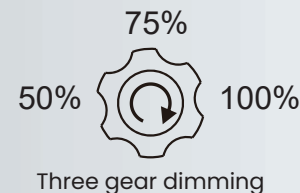


Tripod carry bag

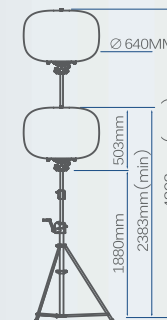
Tripod

Light carry bag

## DIMENSIONS



Three gear dimming



∅ 640MM

503mm

2383mm (min)

4303mm (max)

LUMEN UP TO 96000 LM





High Efficiency  
160 lm/W



360° Illumination



Diffused Light



No Glare



IP54



Easy Setup



Dimmable



Rapid Heat Dissipation

# AIR-L

## 700W-800W



### 5-YEAR WARRANTY

# LED BALLOON LIGHT TOWER

## FEATURES

700W~800W Dimmable.

Foldable tripod and cover; Lightweight; Portable; Easy quick setup.

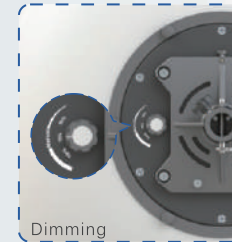
Glare-free; Diffused light; 360° illumination; Dimmable; On-off button switch.

Weather resistance; Life span > 50,000hrs; Low maintenance.

Balloon material: Waterproof, translucent, anti-UV, flame-retardant.

Filtration device: Prevent mosquitoes, dust, and other dirt from entering the lamp.

## ACCESSORIES



Dimming



Adapter

Safety pin

## SPECIFICATIONS

	BL-700W-B	BL-800W-B	
Lamp	Model	700W	800W
	Power	700W	800W
	Voltage	AC90-305V	AC90-305V
	Frequency	50/60Hz	50/60Hz
	PF	≥0.95	≥0.95
	Cable length	10 meters	10 meters
	LED Chips	Lumileds	Lumileds
	Driver Brand	Inventronics	Inventronics
	Lumen	112000lm	128000lm
	CRI	≥70Ra	≥70Ra
CCT	3000k/5000K	3000k/5000K	
Inflated Dimension	Dia830 x H560 mm	Dia830 x H560 mm	
Lamp Weight	9.6kg	9.6kg	
Tripod	Height(min-max)	1880-3800mm	1880-3800mm
	Net Weight	12kg	12kg
	Collapsed Height	1880mm	1880mm
	Collapsed width	210mm	210mm

## ACCESSORIES

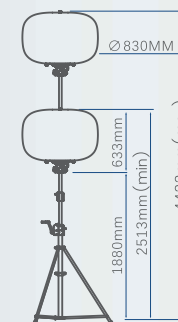


Tripod carry bag

Tripod

Light carry bag

75%  
50% 100%  
Three gear dimming



∅ 830MM

633mm

2513mm (min)

1880mm

4433mm (max)

LUMEN UP TO 128000 LM





High Efficiency  
160 lm/W



360°illumination



Diffused Light



No Glare



IP54



Easy Setup



Dimmable



Rapid Heat Dissipation

# AIR-XL

## 1000W-1200W



### 5-YEAR WARRANTY

# LED BALLOON LIGHT TOWER

## FEATURES

1000W~1200W Dimmable.

Foldable tripod and cover; Lightweight; Portable; Easy quick setup.

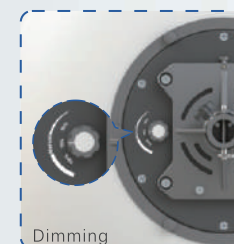
Glare-free; Diffused light; 360° illumination; Dimmable; On-off button switch.

Weather resistance; Life span > 50,000hrs; Low maintenance.

Balloon material: Waterproof, translucent, anti-UV, flame-retardant.

Filtration device: Prevent mosquitoes, dust, and other dirt from entering the lamp.

## ACCESSORIES



Dimming



Adapter



Safety pin

## SPECIFICATIONS

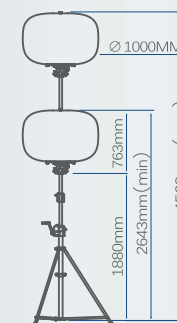
		BL-1000W-B	BL-1200W-B
Lamp	Model	1000W	1200W
	Power	AC90-305V	AC90-305V
	Voltage	50/60Hz	50/60Hz
	Frequency	≥0.95	≥0.95
	PF	10 meters	10 meters
	Cable length	Lumileds 2835	Lumileds 2835
	LED Chips	Inventronics	Inventronics
	Driver Brand	160000lm	192000lm
	Lumen	≥70Ra	≥70Ra
	CRI	3000k/5000K	3000k/5000K
CCT	Dia1000 x H690 mm	Dia1000 x H690 mm	
Inflated Dimension	11.3kg	11.3kg	
Lamp Weight			
Tripod	Height(min-max)	1880-3800mm	1880-3800mm
	Net Weight	12kg	12kg
	Collapsed Height	1880mm	1880mm
	Collapsed width	210mm	210mm

## ACCESSORIES



## DIMENSIONS

LUMEN UP TO 192000 LM





High Efficiency  
160 lm/W



360° Illumination



Diffused Light



No Glare



IP54



Easy Setup



Dimmable



Rapid Heat Dissipation

# AIR-MAX

## 1400W



### 5-YEAR WARRANTY

# LED BALLOON LIGHT TOWER

## FEATURES

1400W Dimmable.

Foldable tripod and cover; Lightweight; Portable; Easy quick setup.

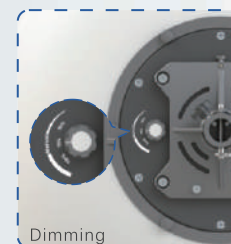
Glare-free; Diffused light; 360° illumination; Dimmable; On-off button switch.

Weather resistance; Life span > 50,000hrs; Low maintenance.

Balloon material: Waterproof, translucent, anti-UV, flame-retardant.

Filtration device: Prevent mosquitoes, dust, and other dirt from entering the lamp.

## ACCESSORIES



Dimming



Adapter

Safety pin

## SPECIFICATIONS

Lamp	Model	BL-1400W-B
	Power	1400W
	Voltage	AC90-305V
	Frequency	50/60Hz
	PF	≥0.95
	Cable length	10 meters
	LED Chips	Lumileds 2835
	Driver Brand	Inventronics
	Lumen	224000lm
	CRI	≥70Ra
	CCT	3000k/5000K
Inflated Dimension	Dia1200 x H820 mm	
Lamp Weight	13.7kg	

Tripod	Height(min-max)	1880-3800mm
	Net Weight	12 kg
	Collapsed Height	1880mm
	Collapsed width	210mm

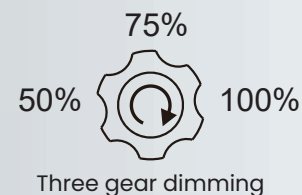
## ACCESSORIES



Tripod carry bag

Tripod

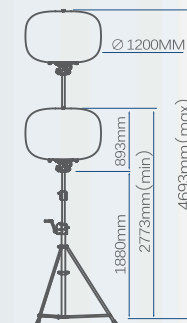
Light carry bag



50% 75% 100%

Three gear dimming

## DIMENSIONS



∅ 1200MM

893mm

2773mm (min)

4693mm (max)

1880mm

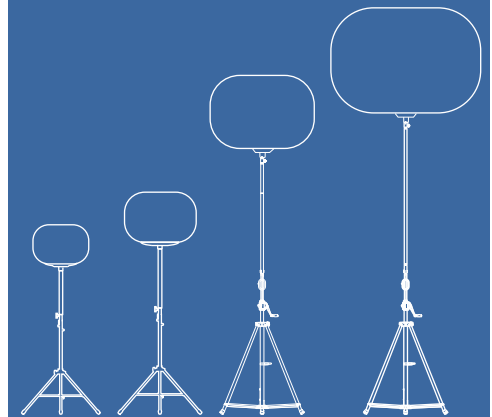
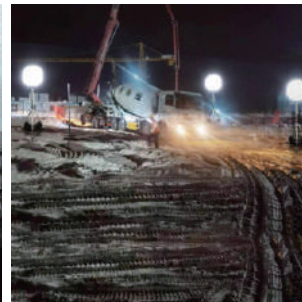
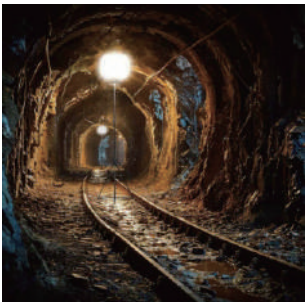
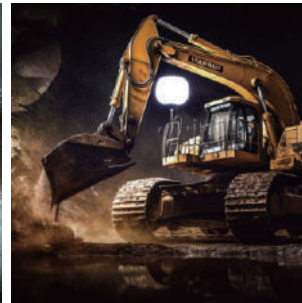
LUMEN UP TO 224000 LM





# LED BALLOON LIGHT TOWER

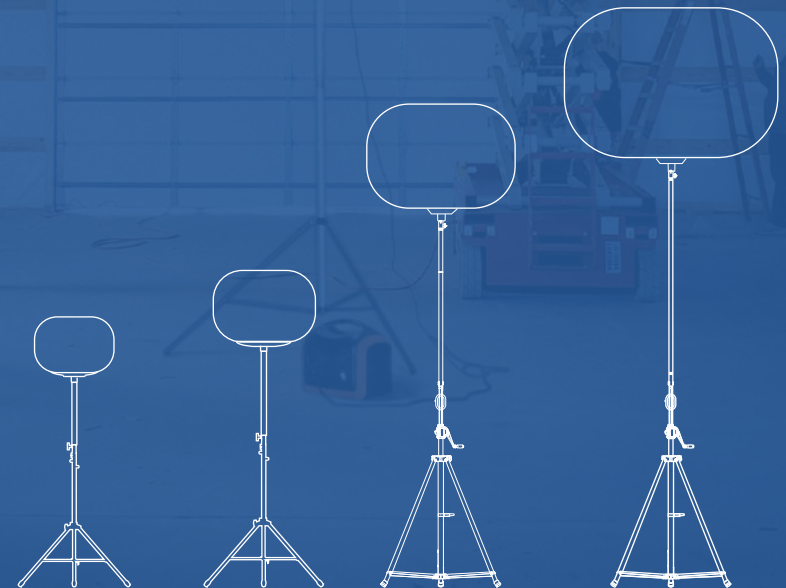
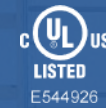
APPLICABLE TO VARIOUS  
SCENARIOS





# LED BALLOON LIGHT TOWER

APPLICABLE TO VARIOUS  
SCENARIOS



# Accessories

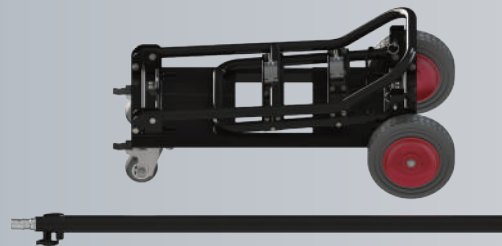
## Cart-S

Our small folding handcart is sturdy and durable, equipped with universal wheels and brake wheels, easy to operate, flexible, suitable for small energy storage batteries and generators, and is the best choice for solving mobile lighting lighthouses

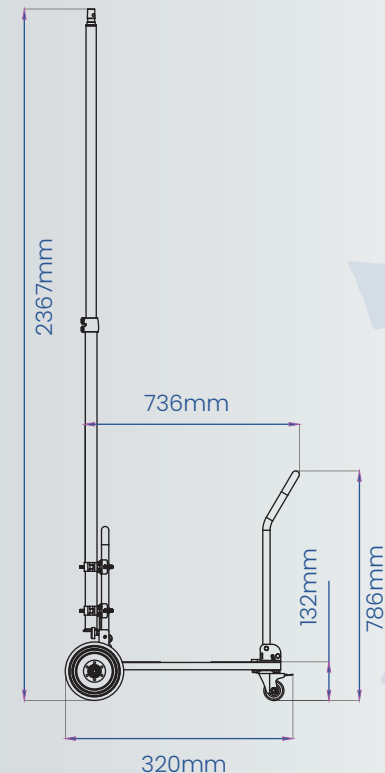
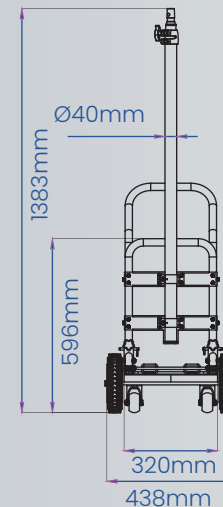
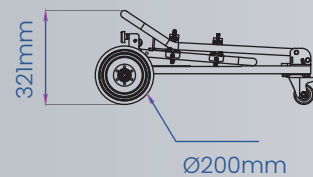
The color and structure of our carts can be customized

Cart-S

Air-XS (60W-240)  
Air-S(320W)



Vehicle Size: 780×438×786mm  
Package Size: 780×460×350mm  
Net Weight: 16kg



# Accessories

## Cart-M

Our small folding handcart is sturdy and durable, equipped with universal wheels and brake wheels, easy to operate, flexible, suitable for small energy storage batteries and generators, and is the best choice for solving mobile lighting lighthouses

The color and structure of our carts can be customized

Cart-M

Air-S (320W)  
Air-M(500W-600W)



Brake wheel



Generator safety belt hook



Lifting hook



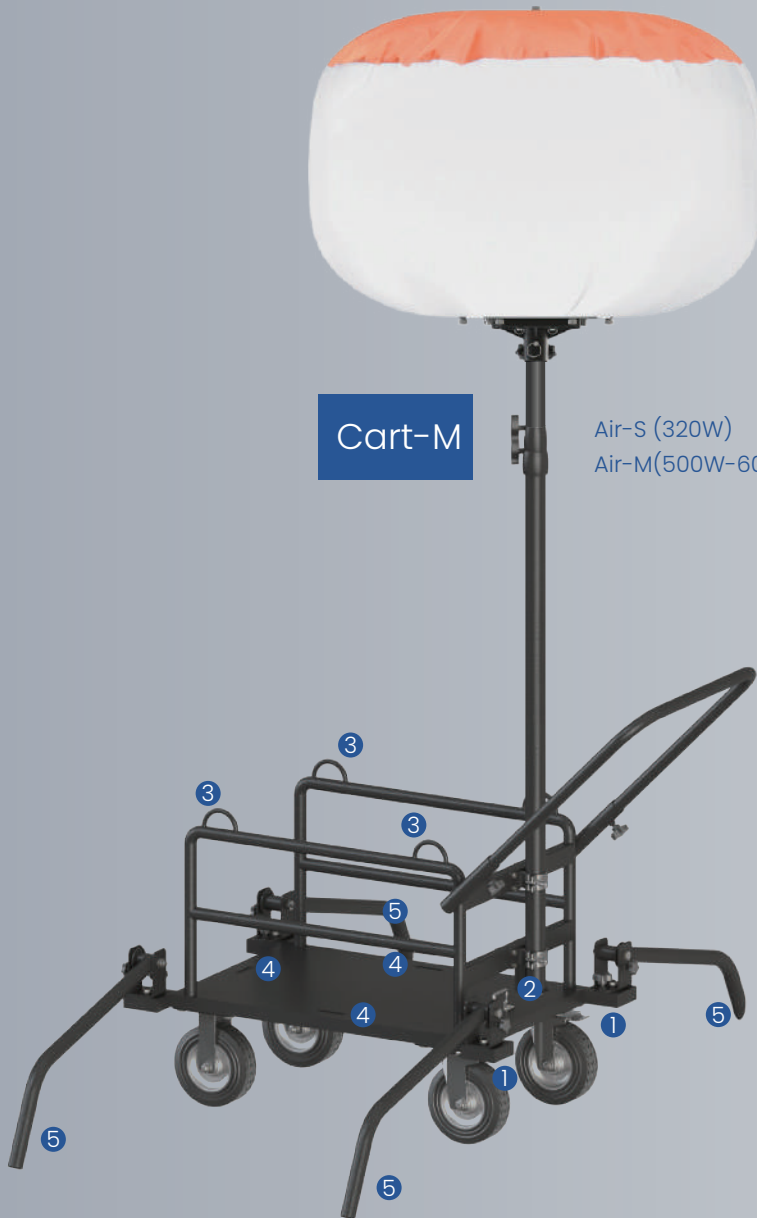
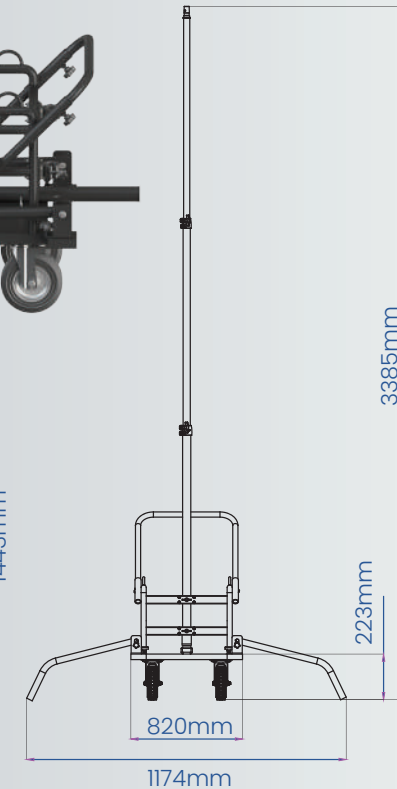
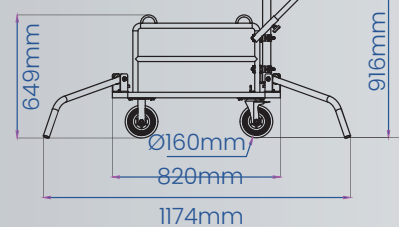
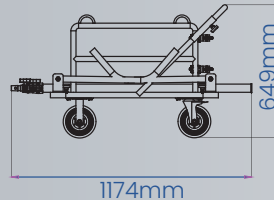
Generator safety belt holes



Adjustable stabilizer legs



Vehicle Size: 820×545×601mm  
Unfolded Size: 1560×1500×3385mm  
Package Size: 850×600×650mm  
Net Weight: 31kg



# Accessories

## Cart-L

Our small folding handcart is sturdy and durable, equipped with universal wheels and brake wheels, easy to operate, flexible, suitable for small energy storage batteries and generators, and is the best choice for solving mobile lighting lighthouses

The color and structure of our carts can be customized

Cart-L

Air-M(500W-600W)  
Air-L(700W-800W)  
Air-(1000W-1200W)  
Air-L(1400W)



Brake wheel



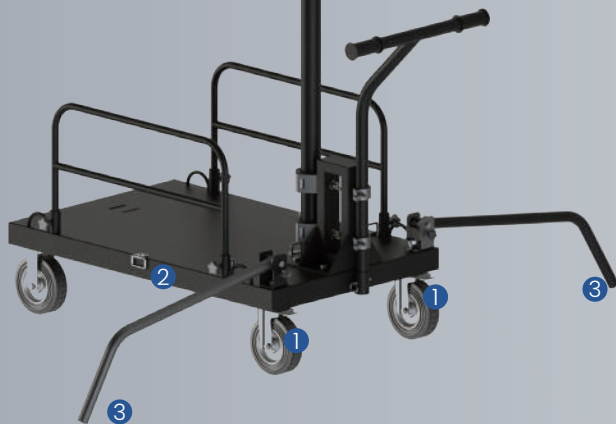
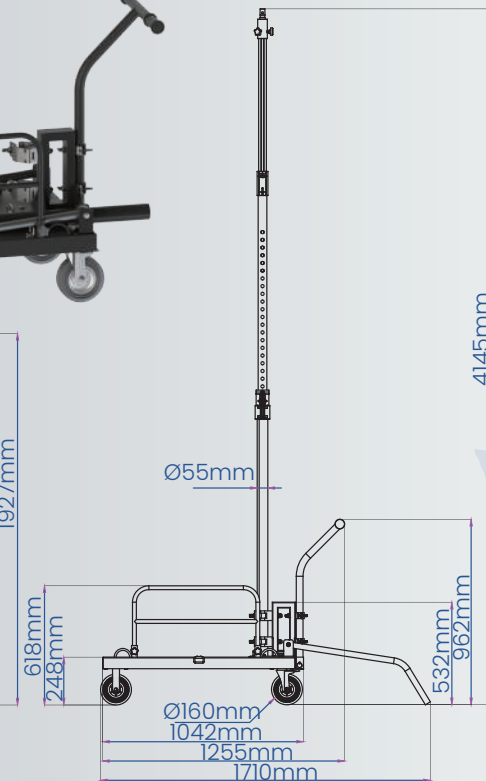
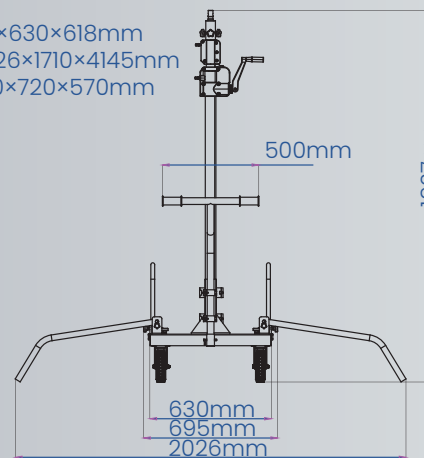
Generator safety belt hook



Adjustable stabilizer legs



Vehicle Size: 1255×630×618mm  
Unfolded Size: 2026×1710×4145mm  
Package Size: 1100×720×570mm  
Net Weight: 48kg





3600W battery



Cart-M with battery



Gasoline generator 3500W



Cart-L with Generator



# ONOR Global Solutions SIA

## ONOR Lighting Engineering Co., Ltd.

🌐 [www.onorledlighting.com](http://www.onorledlighting.com)

☎ +86 158 20799915

✉ [onor@onorlighting.com](mailto:onor@onorlighting.com)

📍 Add: 4F, Building C, Junxing Optoelectronic Bao'an District, Bao'An District, Shenzhen, China